


Limit Switch

Series FC400

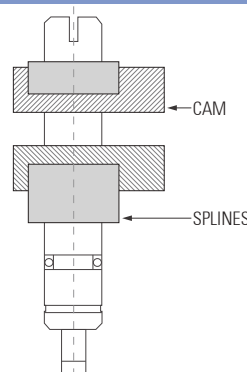


Integrated Characteristic

- Suitable for Rotary Quarter Turn Actuator.
- Extremely Vibration Resistance Design.
- Corrosion Resistance Aluminum Diecast Powder Coated Body.
- Engineering Plastic body/Stainless Steel body. (Optional)
- Visual Position Indicator made from UV/VO grade Polymer with Yellow/Red On/Off Indicator.
- Honeywell / Omron / Cherry / P & F make Switches.
- Dual Cable Entries - ½" NPT, ¼" NPT, M12x1.5 for Easy Wiring.
- Dust Proof & Weather Proof IP 67 & IP 68 Enclosure/ Ex. proof. IIA, IIB, IIC.
- Captive Cover Bolts. No Worry to Loose Bolts While Cover Opens.
- Namur standard shaft & mounting bracket.
- *Optional Position Transmitter 4~20 mADc.*

Type	Mechanical	Proximity
Switch Type	Mechanical Switch x 2	Proximity Sensor x 2
Switch Rating	250-3A AC, 125V-5A DC:250V 0.2A, 125V 0.4A, 30V 4A	8-24V DC (Operating Voltage : 8-30V DC)
Switch Certification		
Enclosure Protection	IP67/IP68 and Ex Proof IIA, IIB, IIC	
Ambient Temperature	-20°C to +80°C	
Conduit Entry	½" NPT, ¼" NPT, M20x1.5	
Terminal Strip	6, 8, 10 Pin Connector	
Mounting Bracket	Namur VDI / VDE 3845, ISO 5211	
Material of Construction	Aluminum Diecasting	
Weight	1250gms.(2.77lb.) approx.	

Quick-Set Cams



Tool free adjustment of switch alignment is accomplished simply by pushing or pulling the cam and rotating it to the new position. Cams are spring-loaded and splined to maintain switch setting in any installed position.

Ordering Information

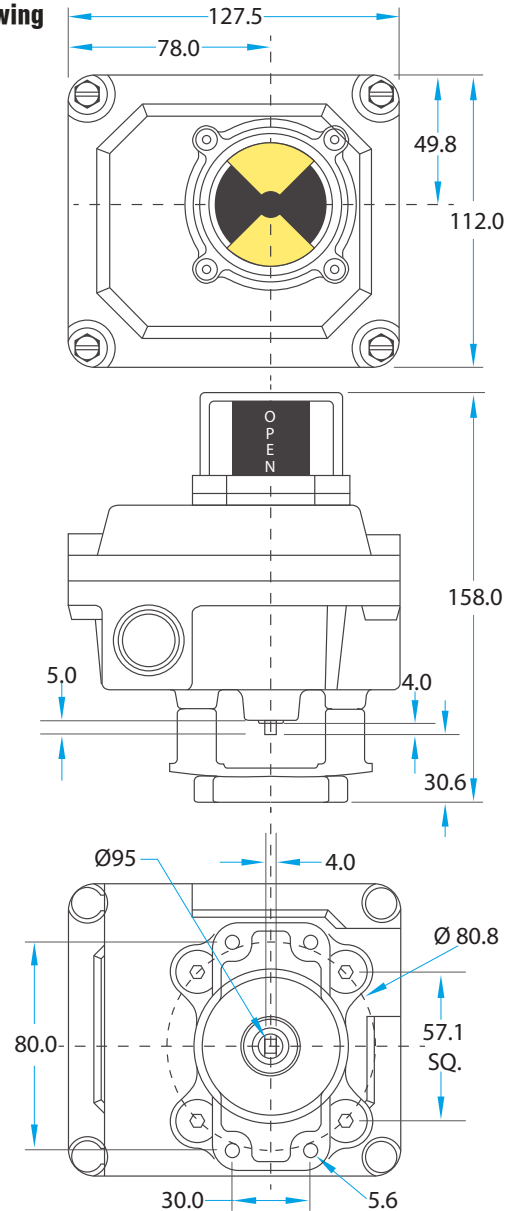
Shaft	N	Namur VDI/VDE 3845
	D	Double "D" Shaft
Connections (Cable Entry)	1	2 x 1/2" NPT (Standard)
	2	2 x 3/4" NPT
	3	2 x M20 x 1.5
Indicator Option	1	Flat Cover Without Indicator
	2	Dome, Red/Yellow
No. of Switches	0	No Switch
	1	1 Switch
	2	2 Switches
	4	4 Switches
Switch Options	MH1	SPDT Mechanical Switch 250VAC-5A Honeywell V15S05-CZ100 A05-01
	MC1	SPDT Mechanical Switch Gold Plated Cherry DB1
	MC2	SPDT Mechanical Switch Gold Plated Cherry DB2
	MC3	SPDT Mechanical Switch Gold Plated Cherry D44, 250VAC-10A
	M03	SPDT Mechanical Omron Switch 250V AC/10A
	N6	NCN4-12-GM35-NO, 8 VDC, NO
	N7	NJ2-12-GM-N, 8 VDC, NC (EEx ia)
	N8	NJ2 - V3 - N, 8 VDC, 3mA, NC (EEx ia)
	N9	NJ4 - 12-GM50-WO, 220VAc, 200mA 50Hz, 60Hz, NC
	N10	NJ5-18GM-N
	N11	NBB3 - V3 - Z4, 10 - 60V DC, 100mA, NO
	N12	NBN4 - 12-GM40-ZO, 24V, 100mA, NO
	NR	NCB2-12-GM35-NO, 24V, 100mA, NO
	NP	SJ3, 5-N Slot Type Namur NC (Hazardous)
	NP1	SJ3, 5-SN Slot Type Namur NC
	0	<i>Optional Please Specify Switch Type and Make.</i>
Type Enclosure	14	General Purpose
	18	Weather Proof CMRI - IP67 and IP68 Enclosure
	19	Ex. Proof - Ex d II BT6, IIA, IIB, IIC
Analog Output	0	None
	T	4-20 mA DC Position Transmitter
	A	0-1k Ohm Pot
	B	0-5k Ohm Pot
C	0-10k Ohm Pot	
Extra Terminals	1	No (6 Terminal Standard)
	2	(Optional)
Bracket Type	1	FC-1 (80x30 x H20)
	2	FC-2 (80x30 x H30)
	3	FC-3 (130x30 x H30)
	4	FC-4 (130x30 x H50)
	5	FC-5 (93.5x41.5X H30)
	6	FC-6 (150x41.5X H30)

Ordering Example FC400-N-1-2-2-MH1-18-T-1-1

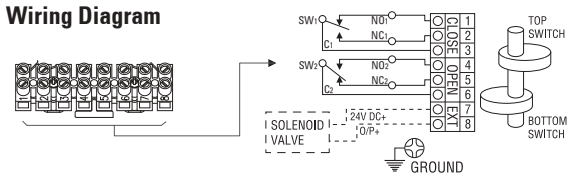
FC 400

N	=	Namur VDI/VDE 3845 Shaft
1	=	2 x 1/2" NPT (Standard) Cable Entry
2	=	Dome, Red/Yellow Indicator
2	=	2 Switches 2NO + 2NC
MH1	=	SPDT Mechanical Switch 250VAC-5A Honeywell V15S05-CZ100 A05-01
18	=	Weather Proof CMRI - IP67 and IP68 Enclosure
T	=	4-20 mA DC Transmitter
1	=	No Extra Terminal
1	=	FC-1 (30x80 x H20) Bracket

Dimension Drawing (mm)



Wiring Diagram



Flucon Automation Inc.

USA: 903 Dashiell Street, Murfreesboro, TN 37129 USA • T +1-615 893 2668 | M +1 615 785 9040, +1 615 785 9023

India: E-104-05, GIDC, Electronics zone, Sector-26, Gandhinagar-382 026 India • T +91-79-2328 8531 / 32 | M +91-98250 49522

sales@fluconautomationinc.com | fluconautomationinc.com