

Flucon, India's only company who manufactures  
full range of Valve Automation Products  
**Process Control Instruments**  
**Valve Automation**



# P/P Positioners

*Pneumatic Positioners*  
Series FC700  
Rotary / Linear



## Description

The FLUCON 700FC series P/P positioners are used as final controlling element for operation of pneumatic Rotary/linear valve actuators in correspondence with an input signal of 3-15 psig.

The Positioners are based on a force balance design for control application that requires a high degree of reliability and repeatability at an economical cost.

The Positioners can handle the supply pressure up to 100 psig for higher pressure industrial pneumatic and process control system requirements.

## Integrated Characteristics

- Suitable for Rotary / Linear Actuators.
- Low Air Consumption.
- No resonance at 5-200Hz.
- Prevents hunting by using Orifice for small size actuator.
- Simple Conversion to Direct Acting or Reverse Acting.
- Precise Calibration with simple SPAN and Zero Adjustments.
- Suitable for Single/Double acting Actuators.
- Easy Feed back connection.
- Extremely Vibration Resistance Design.
- Easy to install air tubing in any direction & Maintenance.
- Corrosion-Resistance Aluminium Die cast Body.
- Options available :  
Position Transmitter (4-20mA DC/0 to 10VDC).  
Two limit Switches.



## Specifications

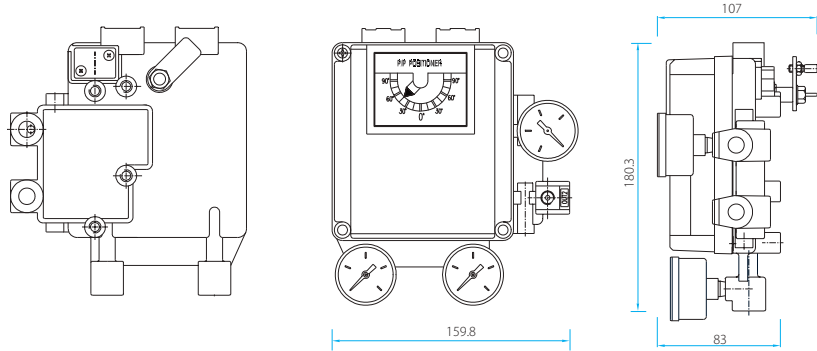
### Rotary Single/Double acting

Item - Type	Single	Double
Input Signal	0.2 ~ 1kgf/cm <sup>2</sup> (3-15psi)	
Supply Pressure	1.4~7kgf/cm <sup>2</sup> (20~100 psi)	
Stroke	0-90° in case of Rotary	
Air Connection	PT (NPT) 1/4"	
Gauge Connection	PT (NPT) 1/8"	
Conduit	PF 1/2" (G1/2")	
Protection	IP66 / IP67	
Ambient Temp.	-20°C ~ 70°C	
Linearity	± 1% F.S.	± 2% F.S.
Hysteresis	1%F.S.	
Sensitivity	± 0.2% F.S.	± 0.5% F.S.
Repeatability	± 0.5%	
Air Consumption	3LPM (Sup+1.4kgf /cm <sup>2</sup> , 20psi)	
Flow Capacity	80LPM (Sup+1.4kgf /cm <sup>2</sup> , 20psi)	
Material	Aluminum Alloy	
Weight	1.7kg (3.7 lb)	

## Ordering Information P/P Positioners (Rotary)

Model 705 FC ■ ■ ■ ■

Acting Type	<span style="color: #e91e63;">S</span> Single	<span style="color: #e91e63;">D</span> Double
Explosion Proof	<span style="color: #00bcd4;">Y</span> Ex. Proof	<span style="color: #00bcd4;">n</span> Non-Explosion
Orifice Type	<span style="color: #ffc107;">1</span> Below 90 cm <sup>3</sup>	<span style="color: #ffc107;">2</span> 90 ~ 180 cm <sup>3</sup>
	<span style="color: #ffc107;">3</span> Over 180 cm <sup>3</sup>	
Option	<span style="color: #6c757d;">0</span> None	<span style="color: #6c757d;">1</span> + PTM (Internal)



## Specifications

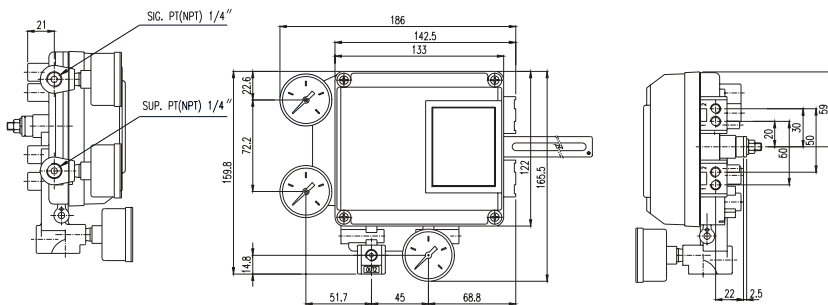
### Linear Single/Double acting

Item - Type	Single	Double
Input Signal	0.2 ~ 1kgf/cm <sup>2</sup> (3-15psi)	
Supply Pressure	1.4~7kgf/cm <sup>2</sup> (20~100 psi)	
Stroke	10-150 mm	
Air Connection	PT (NPT) 1/4"	
Gauge Connection	PT (NPT) 1/8"	
Conduit	PF 1/2" (G1/2")	
Protection	IP66 / IP67	
Ambient Temp.	-20°C ~ 70°C	
Linearity	± 1% F.S.	± 2% F.S.
Hysteresis	1%F.S.	
Sensitivity	± 0.2% F.S.	± 0.5% F.S.
Repeatability	± 0.5%	
Air Consumption	3LPM (Sup+1.4kgf /cm <sup>2</sup> , 20psi)	
Flow Capacity	80LPM (Sup+1.4kgf /cm <sup>2</sup> , 20psi)	
Material	Aluminum Alloy	
Weight	1.7kg (3.7 lb)	

## Ordering Information P/P Positioners (Linear)

Model 706 FC ■ ■ ■ ■ ■

Acting Type	<span style="color: #e91e63;">S</span> Single	<span style="color: #e91e63;">D</span> Double
Explosion Proof	<span style="color: #00bcd4;">Y</span> Ex. Proof	<span style="color: #00bcd4;">n</span> Non-Explosion
Lever Type	<span style="color: #6c757d;">1</span> Below 40 mm	<span style="color: #6c757d;">2</span> 40 ~ 70mm
	<span style="color: #6c757d;">3</span> 70 ~ 100mm	<span style="color: #6c757d;">4</span> 100 ~ 130mm
	<span style="color: #6c757d;">5</span> 130 ~ 150mm	
Orifice Type	<span style="color: #ffc107;">1</span> Below 90 cm <sup>3</sup>	<span style="color: #ffc107;">2</span> 90 ~ 180 cm <sup>3</sup>
	<span style="color: #ffc107;">3</span> Over 180 cm <sup>3</sup>	
Option	<span style="color: #6c757d;">1</span> None	<span style="color: #6c757d;">2</span> + PTM (Internal)



## Flucon Automation Inc.

USA: 903 Dashiell Street, Murfreesboro, TN 37129 USA • T +1-615 893 2668 | M +1 615 785 9040, +1 615 785 9023

India: E-104-05, GIDC, Electronics zone, Sector-26, Gandhinagar-382 026 India • T +91-79-2328 8531 / 32 | M +91-98250 49522

sales@fluconautomationinc.com | fluconautomationinc.com