

Flucon, India's only company who manufactures full range of Valve Automation Products

**Process Control Instruments  
Valve Automation**



# Limit Switch

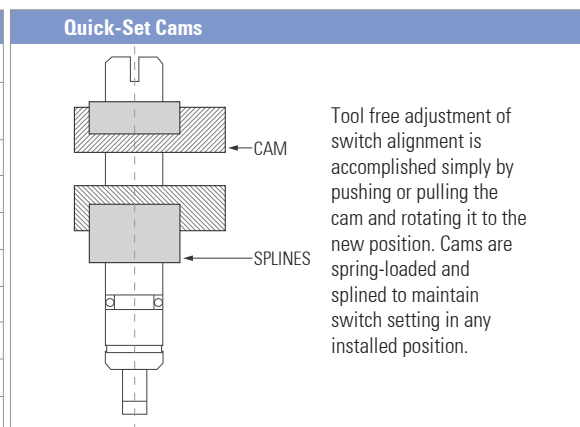
Series FC300



## Integrated Characteristic

- Suitable for Rotary Quarter Turn Actuator.
- Extremely Vibration Resistance Design.
- Corrosion Resistance Aluminum Diecast Powder Coated Body.
- Visual Position Indicator made from UV/VO grade Polymer with Yellow/Red On/Off Indicator.
- Honeywell / Omron / Cherry / P & F make Switches.
- Dual Cable Entries - ½" NPT, ¼" NPT, M12x1.5 for Easy Wiring.
- Dust Proof & Weather Proof IP 67 & IP 68 Enclosure.
- Captive Cover Bolts. No Worry To Loose Bolts While Cover Opens.
- Namur standard shaft & mounting bracket.
- *Optional Position Transmitter 4~20 mADc.*

Type	Mechanical	Proximity
Switch Type	Mechanical Switch x 2	Proximity Sensor x 2
Switch Rating	250-3A AC, 125V-5A DC:250V 0.2A, 125V 0.4A, 30V 4A	12-24V DC (Operating Voltage : 10-30V DC)
Switch Certification		
Enclosure Protection	IP67	
Ambient Temperature	-20°C to +80°C	
Conduit Entry	½" NPT, ¼" NPT, M20x1.5	
Terminal Strip	6, 8, 10 Pin Connector	
Mounting Bracket	Namur VDI / VDE 3845, ISO 5211	
Material of Construction	Aluminum Diecasting	
Weight	890gms.(1.95lb.)	

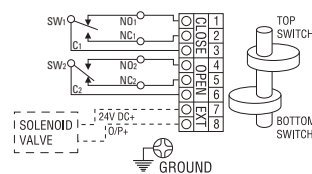
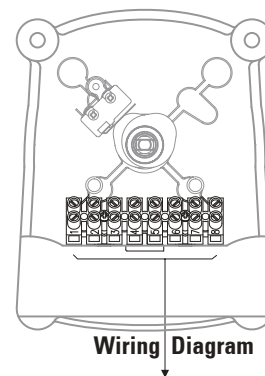
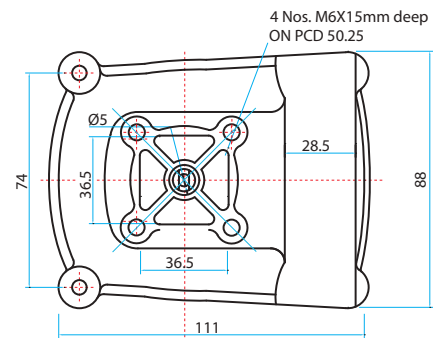
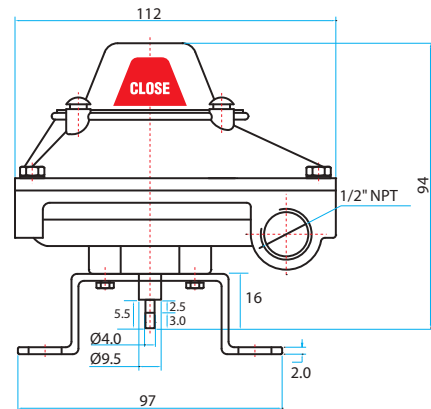
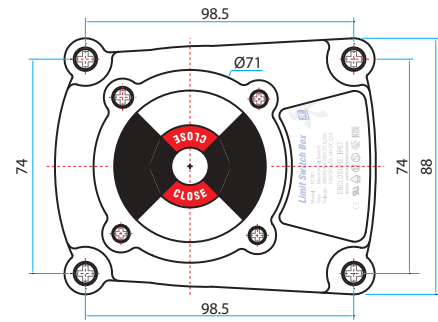


## Ordering Information

<b>Shaft</b>	N	Namur VDI/VDE 3845
	D	Double "D" Shaft
<b>Connections (Cable Entry)</b>	1	2 x 1/2" NPT (Standard)
	2	2 x 3/4" NPT
	3	2 x M20 x 1.5
<b>Indicator Option</b>	1	Flat Cover Without Indicator
	2	Dome, Red/Yellow
<b>No. of Switches</b>	0	No Switch
	1	1 Switch
	2	2 Switches
	4	4 Switches
<b>Switch Options</b>	MH1	SPDT Mechanical Switch 250VAC-5A Honeywell V15S05-CZ100 A05-01
	MC1	SPDT Mechanical Switch Gold Plated Cherry DB1
	MC2	SPDT Mechanical Switch Gold Plated Cherry DB2
	MC3	SPDT Mechanical Switch Gold Plated Cherry D44, 250VAC-10A
	M03	SPDT Mechanical Omron Switch 250V AC/10A
	N8	P+F NJ2 - V3 - N, 2 Wire Namur NC
	N9	P+F NBB3 - V3 - Z4, 2 Wire NO
	NR	P+F NCN4-12GM40-Z0
	NP	P+F S.J3, 5-N Slot Type Namur NC (Hazardous)
	NP1	P+F S.J3, 5-SN Slot Type Namur NC
	O	<i>Optional Please Specify Switch Type and Make.</i>
<b>Type Enclosure</b>	14	General Purpose
	18	Weather Proof CMRI - IP67 and IP68 Enclosure
<b>Analog Output</b>	0	None
	T	4-20 mADc Transmitter
	A	0-1k Ohm Pot
	B	0-5k Ohm Pot
	C	0-10k Ohm Pot
<b>Extra Terminals</b>	1	No (6 Terminal Standard)
	2	(Optional)
<b>Bracket Type</b>	1	FC-1 (80x30 x H20)
	2	FC-2 (80x30 x H30)
	3	FC-3 (130x30 x H30)
	4	FC-4 (130x30 x H50)
	5	FC-5 (93.5x41.5X H30)
	6	FC-6 (150x41.5X H30)

<b>Ordering Example</b>	FC300-N-1-2-2-MH1-18-T-1-1	
	FC 300	
	N	= Namur VDI/VDE 3845 Shaft
	1	= 2 x 1/2" NPT (Standard) Cable Entry
	2	= Dome, Red/Yellow Indicator
	2	= 2 Switches 2NO + 2NC
	MH1=	SPDT Mechanical Switch 250VAC-5A Honeywell V15S05-CZ100 A05-01
	18	= Weather Proof CMRI - IP67 and IP68 Enclosure
	T	= 4-20 mADc Transmitter
	1	= No Extra Terminal
	1	= FC-1 (30x80 x H20) Bracket

## Dimension Drawing (mm)



## Flucon Automation Inc.

USA: 903 Dashiell Street, Murfreesboro, TN 37129 USA • T +1-615 893 2668 | M +1 615 785 9040, +1 615 785 9023

India: E-104-05, GIDC, Electronics zone, Sector-26, Gandhinagar-382 026 India • T +91-79-2328 8531 / 32 | M +91-98250 49522

sales@fluconautomationinc.com | fluconautomationinc.com